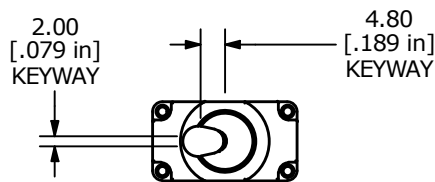
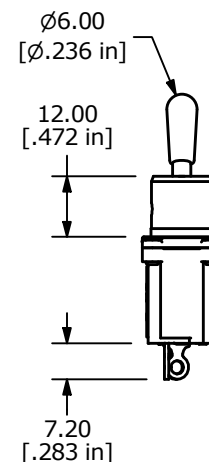
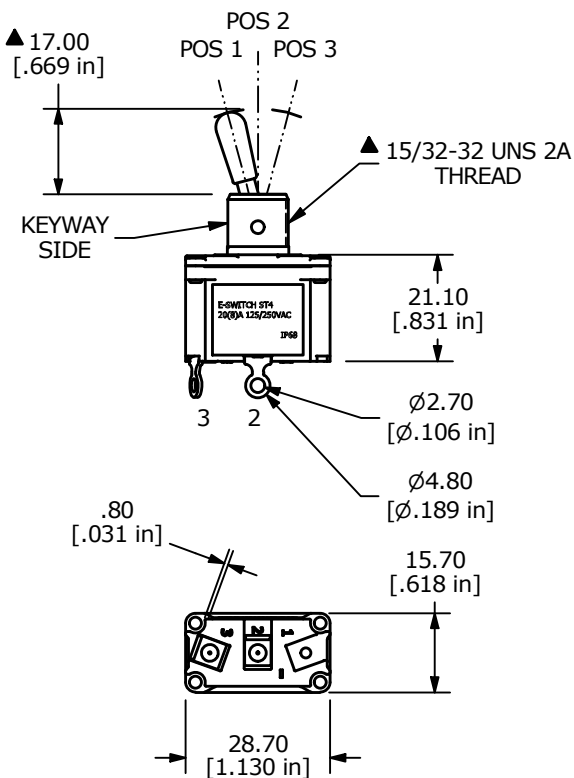


RECOMMENDED PANEL CUT-OUTS



SWITCH FUNCTION		
POS. 1	POS. 2	POS. 3
OFF	N/A	ON
2-3	N/A	2-3



NOTES:

1. ALL DIMENSIONS IN MM [INCH]
2. GENERAL TOLERANCE: X.X=±0.4
X.XX=±0.25
3. TERM. NOS. FOR REF. ONLY
4. RATING: 20(8)A 125/250VAC uT55
5. ELECTRICAL LIFE: 6,000 CYCLES
6. CONTACT RESISTANCE: <20 MILLI-OHMS INITIAL
7. DIELECTRIC STRENGTH: >1,500V AC 1MIN
8. INSULATION RESISTANCE: >100MOHMS
9. OPERATING TEMP: -10°C to 65°C
10. INGRESS PROTECTION: IP68
11. ▲ DENOTES CRITICAL PARAMETER.
12. SUPPLIED HARDWARE: TOOTH WASHER AND TWO HEXNUTS.

REV	ECO NO	DESCRIPTION	DATE	BY		OBJECT ID
A	ECO-100125	NEW RELEASE	05/19/21	MR		100116666
					TITLE	ST4SP2BT1S1
<p>THE INFORMATION CONTAINED IN THIS DOCUMENT IS PROPRIETARY TO E-SWITCH AND IS NOT TO BE COPIED OR TRANSFERRED</p>			SCALE	DATE	DR	REV
			2:3	5/17/2021	MJR	A
					DWG	
					14-ST4SP2BT1S1	